

## Factory Parts Catalog

|                |                 |
|----------------|-----------------|
| Product No.    | E32AF75FPS0     |
| Series         | Icon            |
| Color          | Stainless/steel |
| Volts          | 115             |
| Wiring Diagram | 297115400       |
| Owner's Guide  | 297122900       |
| Market         | North America   |
| Energy Guide   | 216910405       |



Electrolux Major Appliances  
North & Latin America  
P.O. BOX 212378  
AUGUSTA, GA 30917

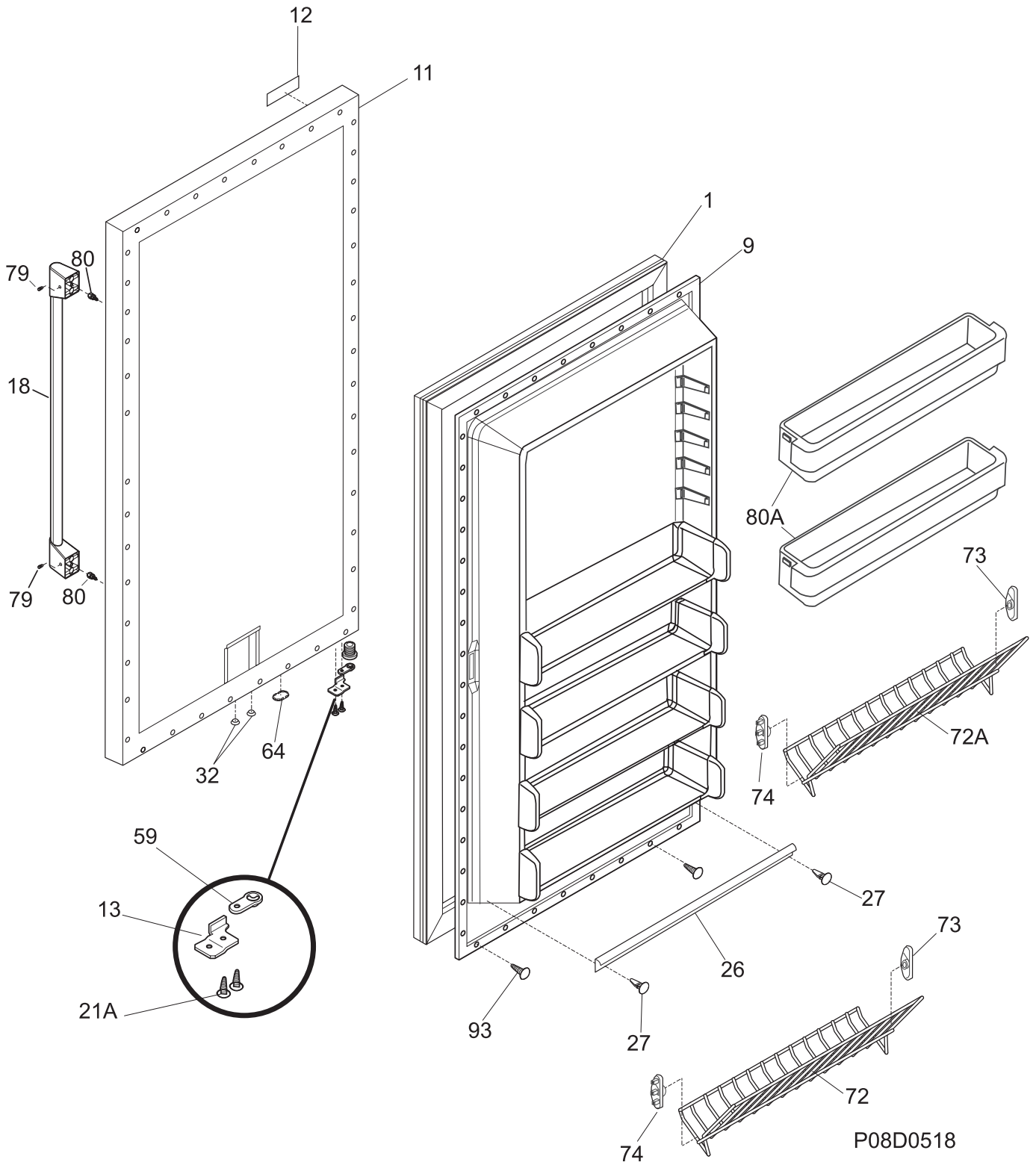
Publication No.  
**5995479473**  
07/04/25  
(EN/SERVICE/MLR)  
365

### UPRIGHT FREEZER W/ICE MAKER

Model No.  
E32AF75FPS

Copyright © 2007 Electrolux Home Products, Inc.  
All rights reserved.

DOOR



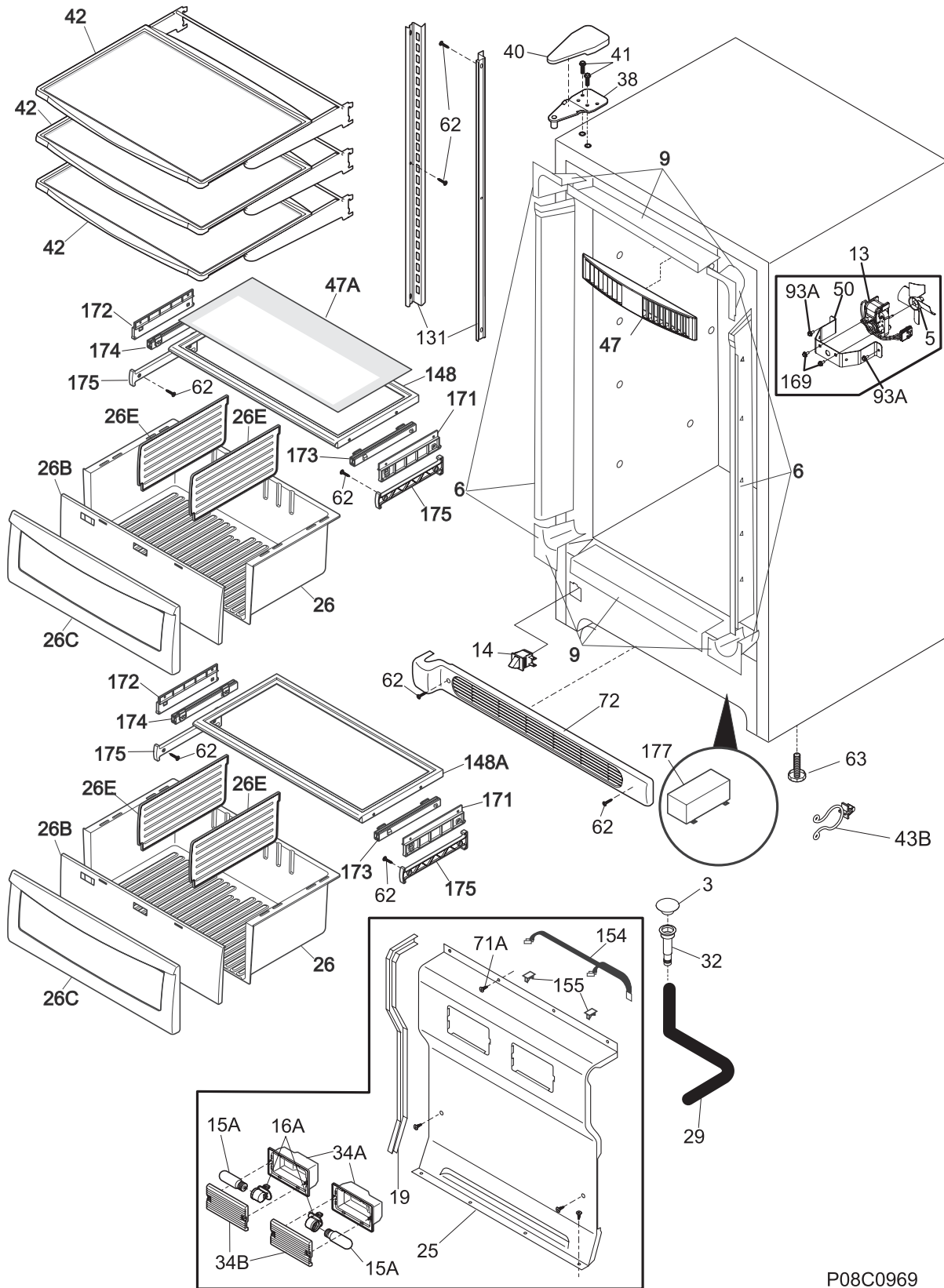
---

**DOOR**


---

| POS. NO | PART NO.   | DESCRIPTION                              |
|---------|------------|--|
| 1       | 216522311  | Gasket-door, black                       |
| 9       | 216527902  | Panel-inner door, frzr                   |
| 11      | 216526572  | Panel-outer door, stainless steel, LH    |
| 12      | 241603101  | Label-nameplate                          |
| 13      | 216974400  | Door Stop                                |
| 18      | 241637912  | Handle Assembly, stainless, w/endcaps    |
| 18*     | 241601001  | Wrench, allen                            |
| 21A     | 5303271077 | Screw, flat head, #1/4-20, door stop/hng |
| 26      | 216524200  | Gasket, secondary                        |
| 27      | 5303212828 | Clip, panel mtg                          |
| 27*     | 5304406520 | Clip, panel mtg kit, (40)                |
| 32      | 5309950074 | Valve, breather                          |
| 59      | 216974500  | Bearing, door closer                     |
| 64      | 216403700  | Plug-button, hole filler, door base      |
| 72      | 216514100  | Shelf, tilt out, wire                    |
| 72A     | 216580600  | Shelf, tiltout, short 32, wire, (2)      |
| 73      | 216513900  | End Cap, shelf, LH, tilt-out             |
| 74      | 216514000  | End Cap, shelf, RH, tilt-out             |
| 79      | 218755406  | Screw-set, 10-32 x 0.375                 |
| 80      | 218755503  | Screw-shoulder, #10 AB, handle mounting  |
| 80A     | 216514300  | Bin-door, adjustable, (2)                |
| 93      | 5303161215 | Screw, ph truss head, 8-18AB x 0.500     |

### CABINET



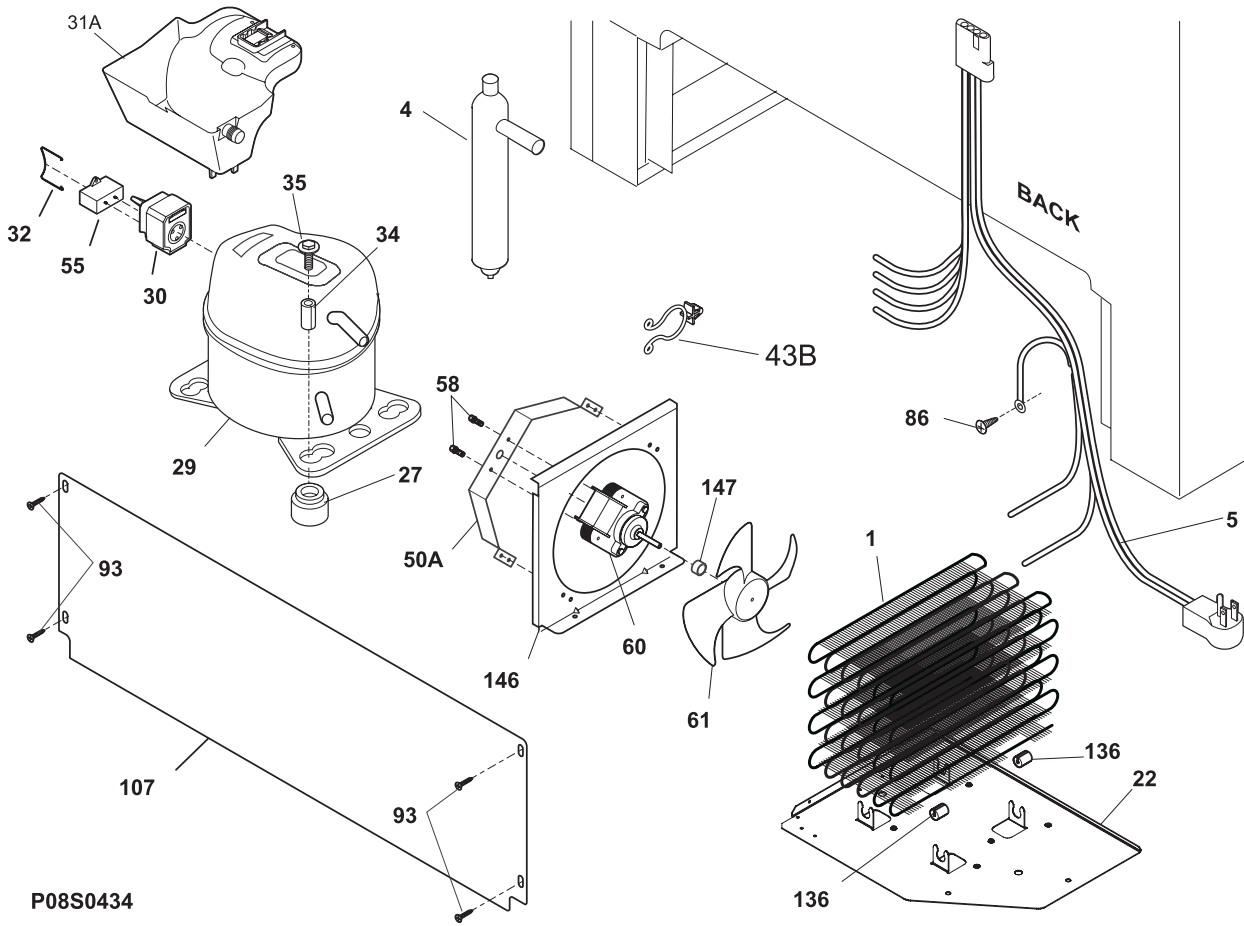
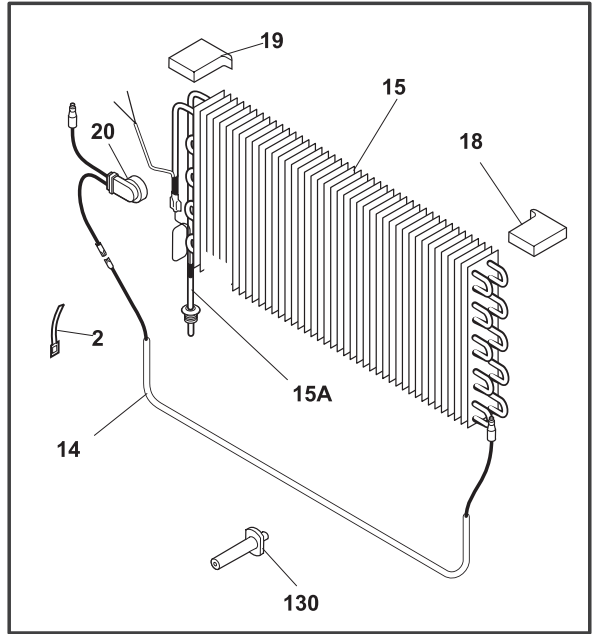
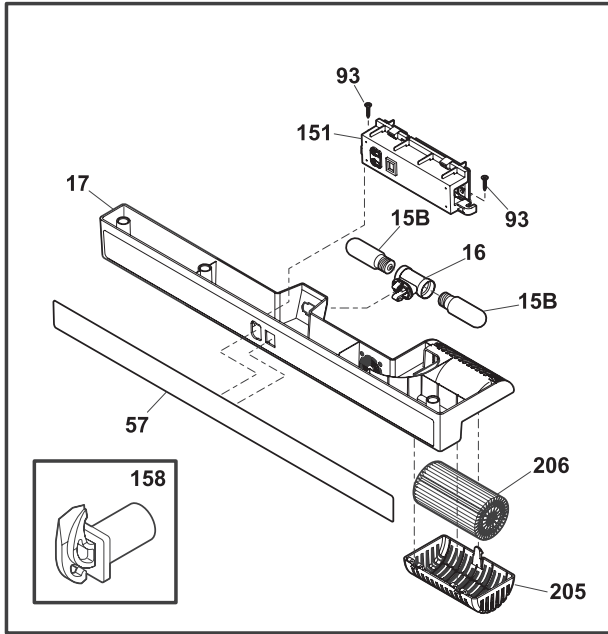
P08C0969

## CABINET

---

| POS. NO | PART NO.   | DESCRIPTION  |
|---------|------------|--|
| 3       | 216503100  | Screen-drain   |
| 5 #     | 216325600  | Fan Blade  |
| 6       | 216604200  | Breaker Kit w/corners                                      |
| 9       | 216603300  | Breaker Kit w/corners, 32", top or bottom                  |
| 13 #    | 216934100  | Motor, fan, 115 V  |
| 14      | 216922800  | Switch, light/lamp, ramp                                   |
| 15A     | 297048600  | Light Bulb/Lamp, short                                     |
| 16A     | 216817600  | Socket, light/lamp, 25 W                                   |
| 19      | 216204902  | Gasket-evap cover  |
| 25      | 297099204  | Cover-evaporator   |
| 26      | 297091600  | Case-crisper, shallow                                      |
| 26B     | 297091801  | Panel, crisper window                                      |
| 26C     | 297091704  | Panel, crisper front                                       |
| 26E     | 297099400  | Divider-crisper, shallow                                   |
| 29      | 216313501  | Hose-drain   |
| 32      | 5308005500 | Drain  |
| 34A     | 297053100  | Shield-light, LH   |
| 34A     | 297053101  | Shield-light, RH   |
| 34B     | 297053200  | Lens, light  |
| 38      | 216939100  | Hinge-upper  |
| 40      | 216809002  | Cover-hinge  |
| 41      | 216936800  | Screw-hinge, 12-24x.700 HWH                                |
| 42      | 297108901  | Shelf-sliding  |
| 43B     | 297048400  | Clip   |
| 47      | 297133000  | Baffle-plate   |
| 47A     | 297102700  | Insert-pan cover, glass                                    |
| 50      | 216394000  | Bracket, fan motor mount                                   |
| 62      | 131420300  | Screw, cr truss head, 8-18AB x 0.750                       |
| 63      | 216396900  | Screw, leveling foot, plastic, adjustable                  |
| 71A     | 5304416289 | Screw, ph truss head, 8-18AB x 0.47, EVAP PANEL            |
| 72      | 297036900  | Grille/Kickplate, 32", white                               |
| 93A     | 216629600  | Screw, hex washer head, 10-16 x 0.500, tapping             |
| 131     | 218233301  | Channel-shelf mtg, side, (2)                               |
| 148     | 297092500  | Frame-crisper cover, upper                                 |
| 148A    | 297092501  | Frame-crisper cover, shallow, lower                        |
| 154     | 297053000  | Wire, jumper   |
| 155     | 5303313703 | Clip, (2)  |
| 169     | 216912400  | Screw, hex washer head, #8-32 x .500, bracket fan mtr, (2) |
| 171     | 297092700  | Bracket, crisper cover, RH                                 |
| 172     | 297092701  | Bracket, crisper cover, LH                                 |
| 173     | 297107600  | Slide, crisper, RH   |
| 174     | 297107601  | Slide, crisper, LH   |
| 175     | 297099500  | Support-crisper  |
| 177     | 297116000  | Electronics, theater lgt                                   |
| *       | 216910405  | Energy Guide   |
| *       | 297001704  | Insulation, 24", drain tube                                |
| *       | 297114600  | Instructions, installation, icemaker                       |

### SYSTEM

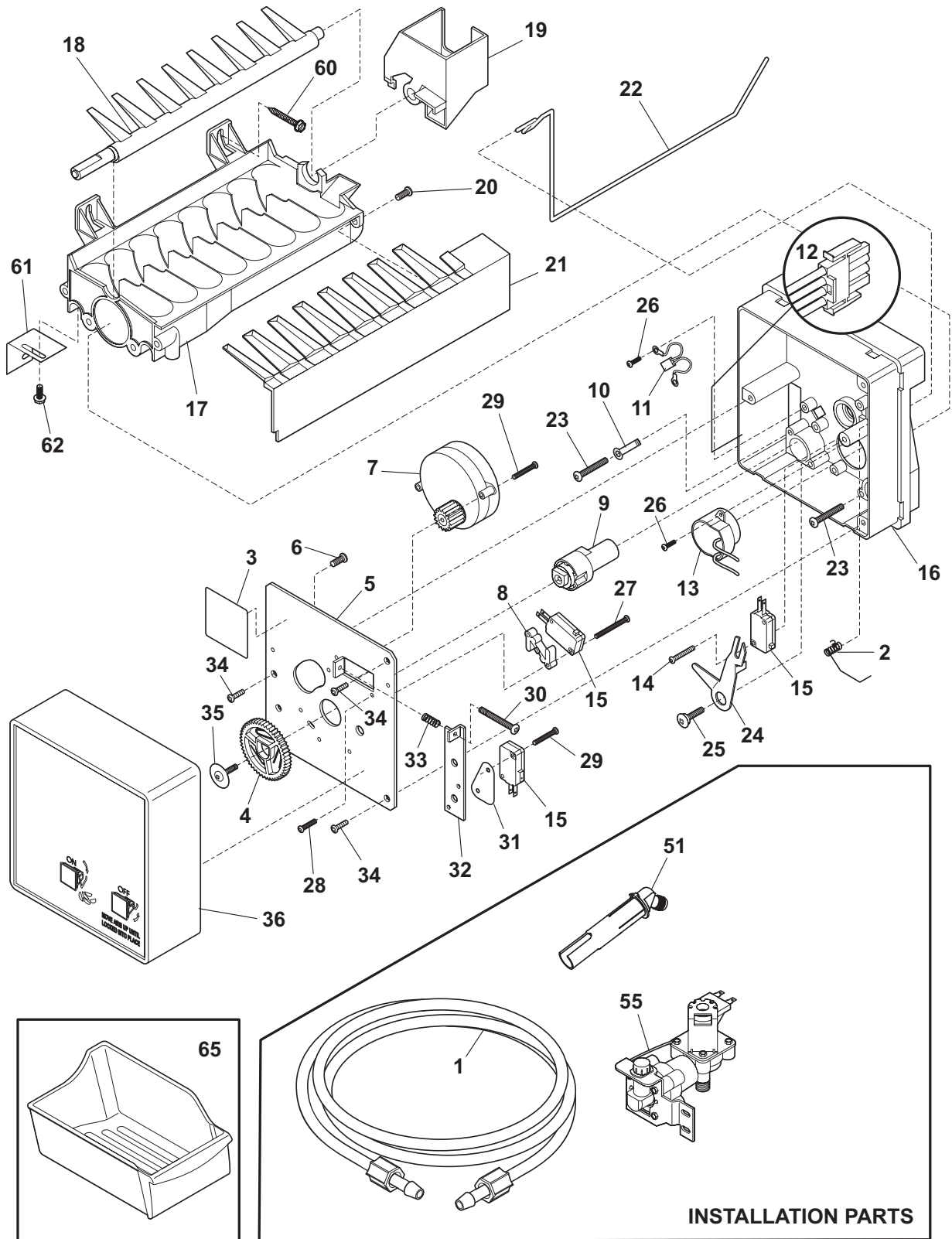


## SYSTEM

---

| POS. NO | PART NO.   | DESCRIPTION  |
|---------|------------|--|
| 1 #     | 5300083897 | Condenser  |
| 2       | 5308000110 | Strap-evap/heater, aluminum, (2)                           |
| 4 #     | 216938600  | Drier-filter   |
| 5 #     | 297122600  | Harness-main   |
| 14      | 216730700  | Heater-defrost   |
| 15 #    | 216997300  | Evaporator   |
| 15A#    | 216783200  | Heat Exchanger, suct/cap tube                              |
| 15B     | 297114000  | Light Bulb, short, blue tint, 40W                          |
| 16      | 241507803  | Socket-light   |
| *       | 297108000  | Jumper-wire, electronic w/lt                               |
| 17      | 297110300  | Box-control, front   |
| 17*     | 131823400  | Screw, 8-18 x 2.00   |
| 17*     | 297112600  | Sleeve-control box, (3)                                    |
| 18      | 297078700  | Insulator-evap, styrofoam                                  |
| 19      | 297078800  | Insulator-evap, styrofoam                                  |
| 20      | 216872200  | Thermostat, defrost  |
| 22      | 216970300  | Base, condenser  |
| 27      | 5308002681 | Grommet, compressor  |
| 29 #    | 297003000  | Compressor, kit w/grommets, & welded clip, w/o electricals |
| 30 #    | 241527803  | Starter-TSD  |
| 31A     | 216994100  | Pan-drain  |
| 32      | 241544101  | Clamp, elec cont mtg, compressor, bale wire                |
| 34      | 5306594529 | Sleeve-compressor  |
| 35      | 5303272328 | Screw, lnd hex sems, 1/4-28 unfx, compressor               |
| 43B     | 297048400  | Clip   |
| 50A     | 240524001  | Bracket, fan motor mount                                   |
| 55      | 218909915  | Capacitor, run, 220 VAC, 15 microfarad                     |
| 57      | 297110801  | Overlay-control box  |
| 58      | 218897002  | Screw, hex washer head, 8-32 x 0.375                       |
| 60      | 240525402  | Motor, condensor fan                                       |
| 61 #    | 240524101  | Fan Blade, galv steel, condenser fan                       |
| 86      | 216036600  | Screw, ph washer head, 8-32CA x 0.500, thread forming      |
| 93      | 5303161215 | Screw, ph truss head, 8-18AB x 0.500                       |
| 107     | 297001900  | Shield, compressor, Compartment                            |
| 130     | 216486800  | Support, evaporator mtg                                    |
| 136     | 240405201  | Grommet, rubber, black, cond tube/wire                     |
| 146     | 216970200  | Shroud-fan orifice   |
| 146*    | 216337700  | Screw, hex washer head, 10-24 x 0.500                      |
| 147     | 240560001  | Ring-compression   |
| 151#    | 297112403  | Electronic control, assy                                   |
| 158     | 297111000  | Standoff, control box, (3)                                 |
| 205     | 297108500  | Cap-air filter   |
| 206     | 241504902  | Filter-air   |
| *       | 216502500  | Sleeve, suction line                                       |
| *       | 297014500  | Plug-suction line  |
| *       | 297102800  | Spacer-tube  |

ICE MAKER



P08ICE03

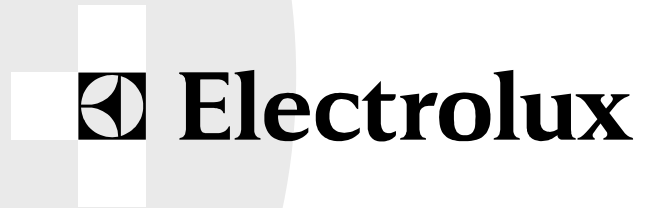
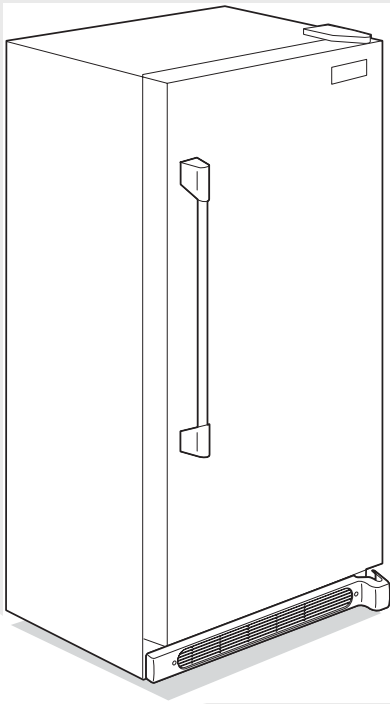


---

**ICE MAKER**


---

| POS. NO | PART NO.   | DESCRIPTION   |
|---------|------------|---|
| 1       | 297044900  | Tube-water inlet, inlet valve, to ice maker         |
| 1*      | 240561701  | Seal-water inlet, inlet valve, to ice maker         |
| 2       | 5304420650 | Spring, shut-off arm                                |
| 3       | 3206299    | Label, ID plate                                     |
| 4       | 3206301    | Gear  |
| 5       | 3206303    | Plate-mounting                                      |
| 6       | 3206305    | Screw-ground wire, 8-32 x 0.250                     |
| 7 #     | 3206306    | Motor-ice maker                                     |
| 8       | 3206312    | Spacer-hold switch                                  |
| 9       | 3206313    | Cam   |
| 10      | 3206315    | Clamp   |
| 11 #    | 3206319    | Thermal Cutoff, ICE MAKER, complete assy            |
| 12 #    | 5304420651 | Wiring Harness, ICE MAKER, internal, with plug      |
| 13 #    | 3206322    | Thermostat Assy, ICE MAKER                          |
| 14      | 5304420652 | Screw, 4 x 0.750, switch mtg.                       |
| 15 #    | 3206324    | Switch, (3)   |
| 16      | 5304420653 | Support, phenolic                                   |
| 17 #    | 5303320545 | Mold-ice maker, radius cube, with heater            |
| 18      | 3206328    | Ejector-ice   |
| 19      | 3206330    | Bearing & Inlet                                     |
| 20      | 5304408581 | Screw, 8-32 x 0.375                                 |
| 21      | 3206332    | Ice Stripper  |
| 22      | 3206333    | Shut-off Arm  |
| 23      | 5304408582 | Screw, 8-32 x 0.875, mold-to-support, (3)           |
| 24      | 3206335    | Lever Arm   |
| 25      | 3206336    | Screw, 8-18 x 0.562, lever arm/sprt                 |
| 26      | 5304420654 | Screw-thermo/sprt, 4-24 x 0.375, (4)                |
| 27      | 3206338    | Screw, 4-40 x 1.000, hold switch mtg, (2)           |
| 28      | 3206339    | Screw-timing stop, 4-40 x 0.375                     |
| 29      | 3206323    | Screw, 4-24 x 0.750, (6)                            |
| 30      | 3206341    | Screw-timing adj, 8-32 x 1.000                      |
| 31      | 3206342    | Insulator   |
| 32      | 3206343    | Plate-valve switch                                  |
| 33      | 5304408583 | Spring-timing adj                                   |
| 34      | 5304420655 | Screw, plazscrew, 8-10, (3)                         |
| 35      | 5304408585 | Screw   |
| 36      | 3206347    | Cover-ice maker                                     |
| 45      | 5303161215 | Screw, ph truss head, 8-18AB x 0.500                |
| 51      | 216887500  | Tube, water, ICE MAKER                              |
| 55 #    | 240519601  | Valve-water, single solenoid, 60 Hz, 105/120 V      |
| 60      | 218362500  | Screw, hex washer head, 8-18AB x 1.250, spacer, (2) |
| 61      | 218721500  | Bracket-leveling, ICE MAKER                         |
| 62      | 218737900  | Screw-IM brkt mtg, hex washer head, 8-32D x 0.375   |
| 65      | 240385201  | Container, ice bin                                  |
| *       | 240352409  | Ice Maker, radius cube, 115 V, no instl parts       |
| *       | 297114101  | Adapter-water supply, nut & sleeve, compression ftg |
| *       |            | IM501 Ice Maker Kit-Freezer                         |



## Factory Parts Catalog

|                |                 |
|----------------|-----------------|
| Product No.    | E32AR75FPS0     |
| Series         | Icon            |
| Color          | Stainless/steel |
| Volts          | 115             |
| Wiring Diagram | 297115300       |
| Owner's Guide  | 297122800       |
| Market         | North America   |
| Energy Guide   | 297115901       |



Electrolux Major Appliances  
North & Latin America  
P.O. BOX 212378  
AUGUSTA, GA 30917

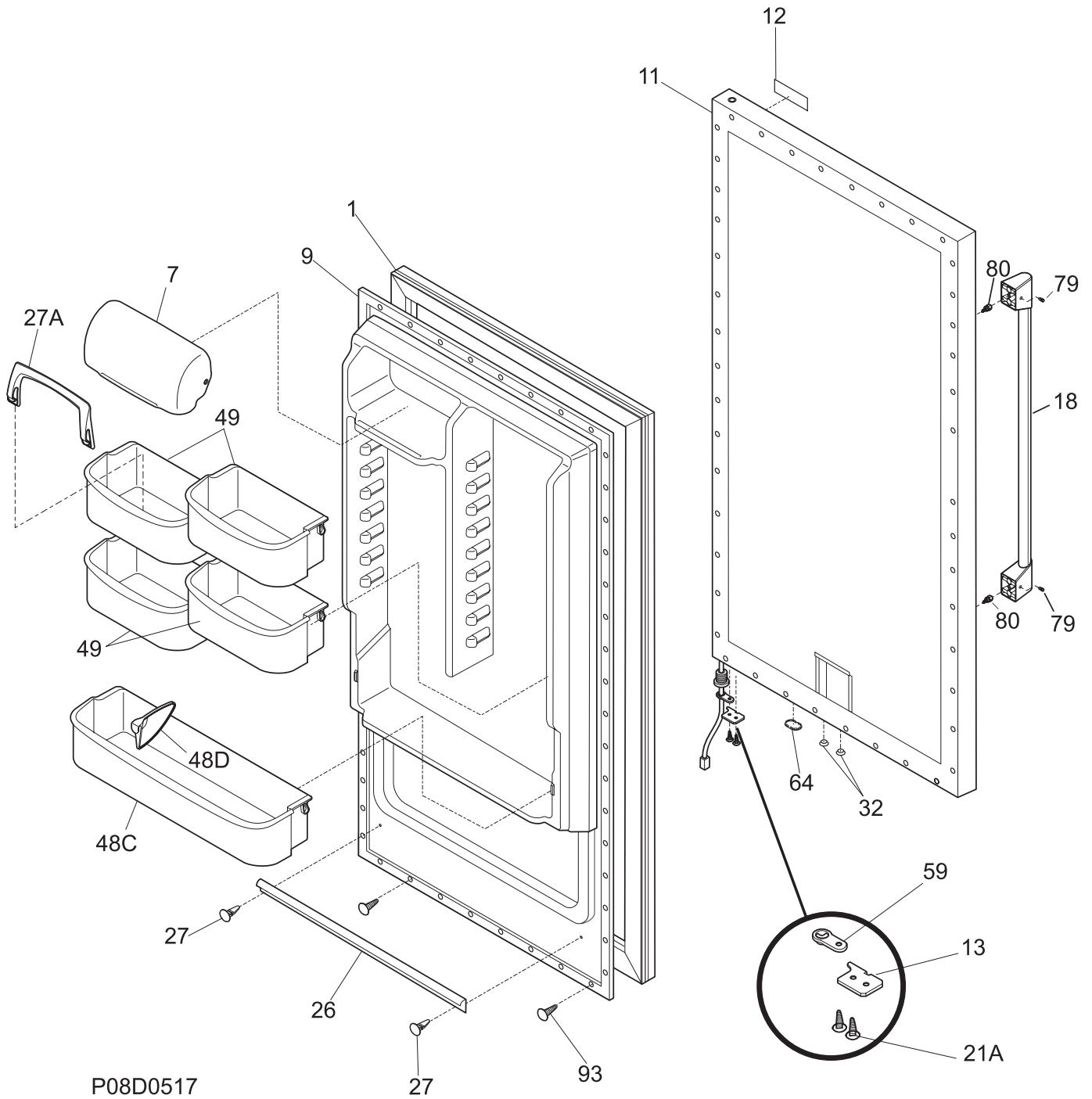
Publication No.  
**5995479135**  
07/04/26  
(EN/SERVICE/MLR)  
365

## REFRIGERATOR

Model No.  
**E32AR75FPS**

Copyright © 2007 Electrolux Home Products, Inc.  
All rights reserved.

DOOR



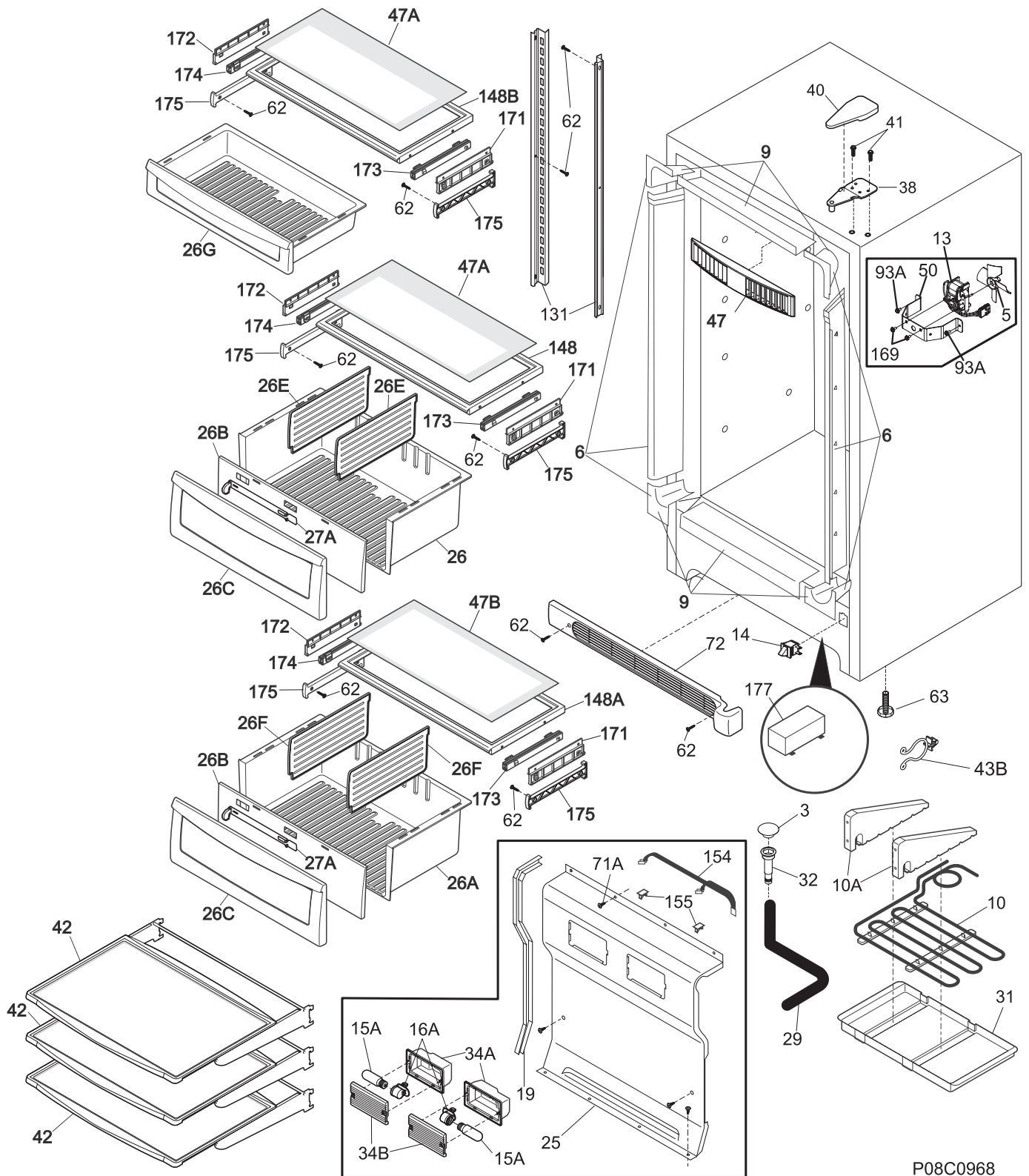
---

**DOOR**


---

| POS. NO | PART NO.   | DESCRIPTION                              |
|---------|------------|--|
| 1       | 216522311  | Gasket-door, black                       |
| 7       | 240338303  | Door, dairy, clear                       |
| 9       | 216953601  | Panel-inner door, refr                   |
| 11      | 216526571  | Panel-outer door, stainless              |
| 12      | 241603101  | Label-nameplate                          |
| 13      | 5303271076 | Door Stop                                |
| 18      | 241637912  | Handle Assembly, stainless, w/endcaps    |
| 18*     | 241601001  | Wrench, allen                            |
| 21A     | 5303271077 | Screw, flat head, #1/4-20, door stop/hng |
| 26      | 216524200  | Gasket, secondary                        |
| 27      | 5303212828 | Clip, panel mtg                          |
| 27*     | 5304406520 | Clip, panel mtg kit, (40)                |
| 27A     | 240396102  | Retainer, tall bottle                    |
| 32      | 5309950074 | Valve, breather                          |
| 48C     | 297108200  | Bin-door, gallon                         |
| 48D     | 240396302  | Snugger, paddle type                     |
| 49      | 297107801  | Bin-door, 2-liter                        |
| 59      | 216974500  | Bearing, door closer                     |
| 64      | 216403700  | Plug-button, hole filler, door base      |
| 79      | 218755401  | Screw-set, 10-32 x 0.375                 |
| 80      | 218755504  | Screw-shoulder, #10 AB, handle mounting  |
| 93      | 5303161215 | Screw, ph truss head, 8-18AB x 0.500     |

# CABINET



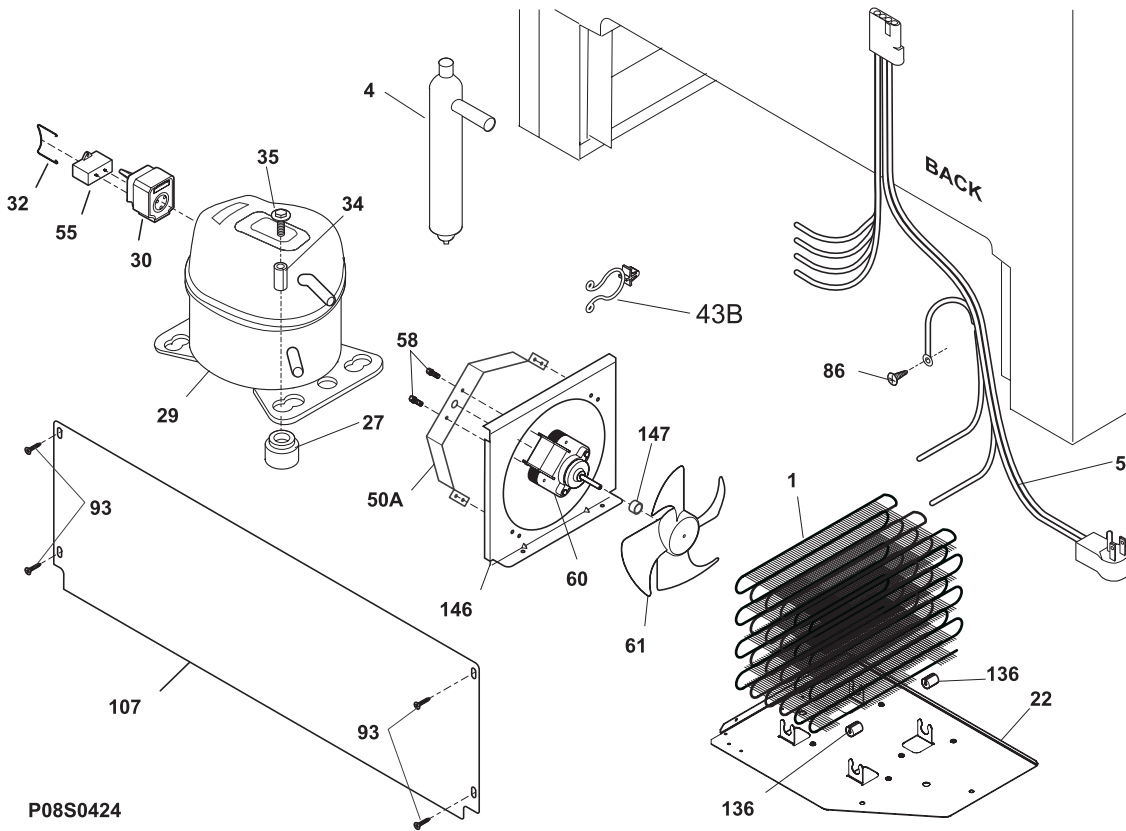
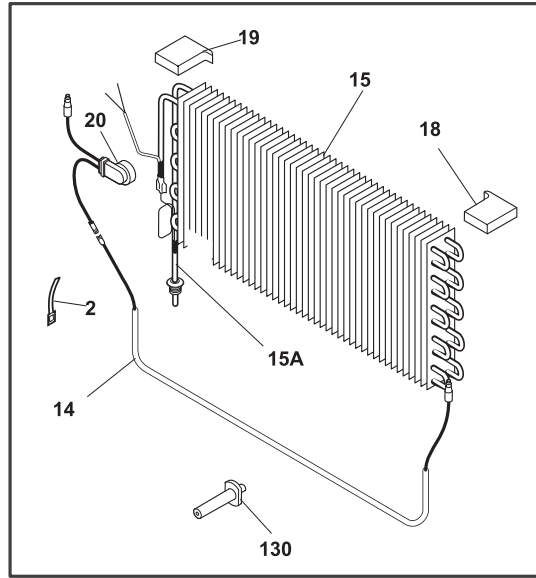
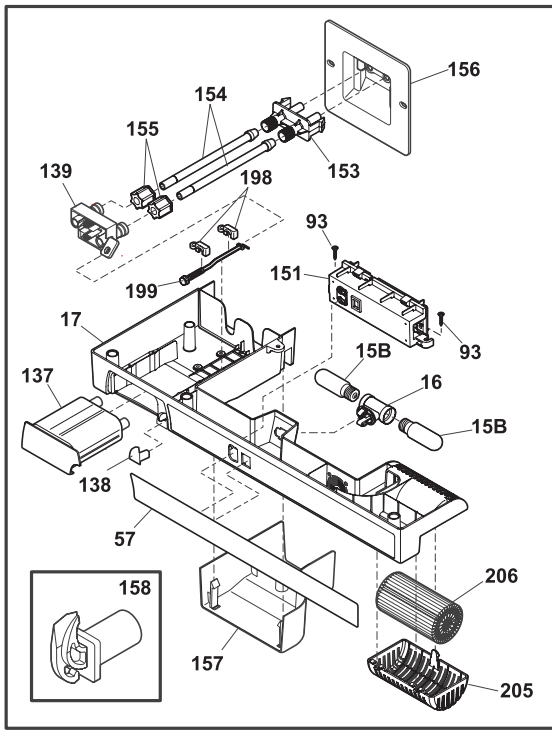
P08C0968

## CABINET

---

| POS. NO | PART NO.   | DESCRIPTION  |
|---------|------------|--|
| 3       | 216503100  | Screen-drain   |
| 5 #     | 216325600  | Fan Blade  |
| 6       | 216604200  | Breaker Kit w/corners                                      |
| 9       | 216603300  | Breaker Kit w/corners, 32", top or bottom                  |
| 10      | 216999400  | Tubing- heater, formed                                     |
| 10A     | 216933700  | Bracket, drain pan   |
| 13 #    | 216934100  | Motor, fan, 115 V  |
| 14      | 216922800  | Switch, light/lamp, ramp                                   |
| 15A     | 297048600  | Light Bulb/Lamp, short                                     |
| 16A     | 216817600  | Socket, light/lamp, 25 W                                   |
| 19      | 216204902  | Gasket-evap cover  |
| 25      | 297099204  | Cover-evaporator   |
| 26      | 297091600  | Case-crisper, shallow                                      |
| 26A     | 297091601  | Case-crisper, deep   |
| 26B     | 297091800  | Panel, crisper window                                      |
| 26C     | 297091703  | Panel, crisper front                                       |
| 26E     | 297099400  | Divider-crisper, shallow                                   |
| 26F     | 297099401  | Divider-crisper, deep                                      |
| 26G     | 297123700  | Case-deli  |
| 27A     | 240362201  | Control-humidity   |
| 29      | 216313503  | Hose-drain   |
| 31      | 216732400  | Pan-drain  |
| 31*     | 216742701  | Screw, 8-18 x 9/16, black, (4)                             |
| 32      | 5308005500 | Drain  |
| 34A     | 297053100  | Shield-light, LH   |
| 34A     | 297053101  | Shield-light, RH   |
| 34B     | 297053200  | Lens, light  |
| 38      | 216939100  | Hinge-upper  |
| 40      | 216809002  | Cover-hinge  |
| 41      | 216936800  | Screw-hinge, 12-24x.700 HWH                                |
| 42      | 297108901  | Shelf-sliding  |
| 43B     | 297048400  | Clip   |
| 47      | 297133000  | Baffle-plate   |
| 47A     | 297102700  | Insert-pan cover, glass                                    |
| 47B     | 297102701  | Insert-pan cover, glass, lower                             |
| 50      | 216394000  | Bracket, fan motor mount                                   |
| 62      | 131420300  | Screw, cr truss head, 8-18AB x 0.750                       |
| 63      | 216396900  | Screw, leveling foot, plastic, adjustable                  |
| 71A     | 5304416289 | Screw, ph truss head, 8-18AB x 0.47, EVAP PANEL            |
| 72      | 297036900  | Grille/Kickplate, 32", white                               |
| 93A     | 216629600  | Screw, hex washer head, 10-16 x 0.500, tapping             |
| 131     | 218233301  | Channel-shelf mtg, side, (2)                               |
| 148     | 297092500  | Frame-crisper cover, upper                                 |
| 148A    | 297092502  | Frame-crisper cover, lower                                 |
| 148B    | 297092503  | Frame-deli cover   |
| 154     | 297053000  | Wire, jumper   |
| 155     | 5303313703 | Clip, (2)  |
| 169     | 216912400  | Screw, hex washer head, #8-32 x .500, bracket fan mtr, (2) |
| 171     | 297092700  | Bracket, crisper cover, RH                                 |
| 172     | 297092701  | Bracket, crisper cover, LH                                 |
| 173     | 297107600  | Slide, crisper, RH   |
| 174     | 297107601  | Slide, crisper, LH   |
| 175     | 297099500  | Support-crisper  |
| 177     | 297116000  | Electronics, theater lgt                                   |
| *       | 297001704  | Insulation, 24", drain tube                                |
| *       | 5303305324 | Paint, touch-up, white                                     |
| *       | 297115901  | Energy Guide   |

SYSTEM



## SYSTEM

---

| POS. NO | PART NO.   | DESCRIPTION   |
|---------|------------|---|
| 1 #     | 5300083897 | Condenser   |
| 2       | 5308000110 | Strap-evap/heater, aluminum, (2)                      |
| 4 #     | 216938600  | Drier-filter  |
| 5 #     | 297122700  | Harness-main  |
| 14      | 216730700  | Heater-defrost  |
| 15 #    | 216997300  | Evaporator  |
| 15A     | 297130100  | Heat Exchanger  |
| 15B     | 297114000  | Light Bulb, short, blue tint, 40W                     |
| 16      | 241507803  | Socket-light  |
| 17      | 297110301  | Box-control, front                                    |
| 17*     | 131823400  | Screw, 8-18 x 2.00                                    |
| 17*     | 297112600  | Sleeve-control box, (3)                               |
| 18      | 297078700  | Insulator-evap, styrofoam                             |
| 19      | 297078800  | Insulator-evap, styrofoam                             |
| 20      | 216731001  | Thermostat, defrost                                   |
| 22      | 216970300  | Base, condenser                                       |
| 27      | 5308002681 | Grommet, compressor                                   |
| 29 #    | 297068200  | Compressor, w/o electricals                           |
| 30      | 216954210  | Controller  |
| 32      | 216649100  | Clamp, elec cont mtg, compressor                      |
| 34      | 5306594529 | Sleeve-compressor                                     |
| 35      | 5303272328 | Screw, lnd hex sems, 1/4-28 unfx, compressor          |
| 43B     | 297048400  | Clip  |
| 50A     | 240524001  | Bracket, fan motor mount                              |
| 55      | 218909913  | Capacitor, run, 220 VAC, 15 microfarad                |
| 57      | 297110901  | Overlay-control box                                   |
| 58      | 218897002  | Screw, hex washer head, 8-32 x 0.375                  |
| 60      | 240525402  | Motor, condensor fan                                  |
| 61 #    | 240524101  | Fan Blade, galv steel, condenser fan                  |
| 86      | 216036600  | Screw, ph washer head, 8-32CA x 0.500, thread forming |
| 93      | 5303161215 | Screw, ph truss head, 8-18AB x 0.500                  |
| 107     | 297001900  | Shield, compressor, Compartment                       |
| 130     | 216486800  | Support, evaporator mtg                               |
| 136     | 240405201  | Grommet, rubber, black, cond tube/wire                |
| 137#    | 240396405  | Filter, water, carbon cassette, front, with o'rings   |
| 138     | 240397301  | Button-filter release                                 |
| 139     | 240396002  | Base-water filter                                     |
| 146     | 216970200  | Shroud-fan orifice                                    |
| 146*    | 216337700  | Screw, hex washer head, 10-24 x 0.500                 |
| 147     | 240560001  | Ring-compression                                      |
| 151#    | 297112402  | Electronic control, assy                              |
| 153     | 297110200  | Hose-junction attachment                              |
| 154     | 297112901  | Hose, water inlet                                     |
| 155     | 241518001  | Nut, 1/2-20, nylon, water hose, (2)                   |
| 156     | 297110100  | Retainer, hose junction                               |
| 157     | 297110500  | Raceway, water filter                                 |
| 158     | 297111000  | Standoff, control box, (3)                            |
| 198     | 240397401  | Retainer  |
| 199     | 240397501  | Rod   |
| 199*    | 240398401  | Spring-filter release rod                             |
| 205     | 297108500  | Cap-air filter  |
| 206     | 241504902  | Filter-air  |
| *       | 216502500  | Sleeve, suction line                                  |
| *       | 297108000  | Jumper-wire, electronic w/lt                          |